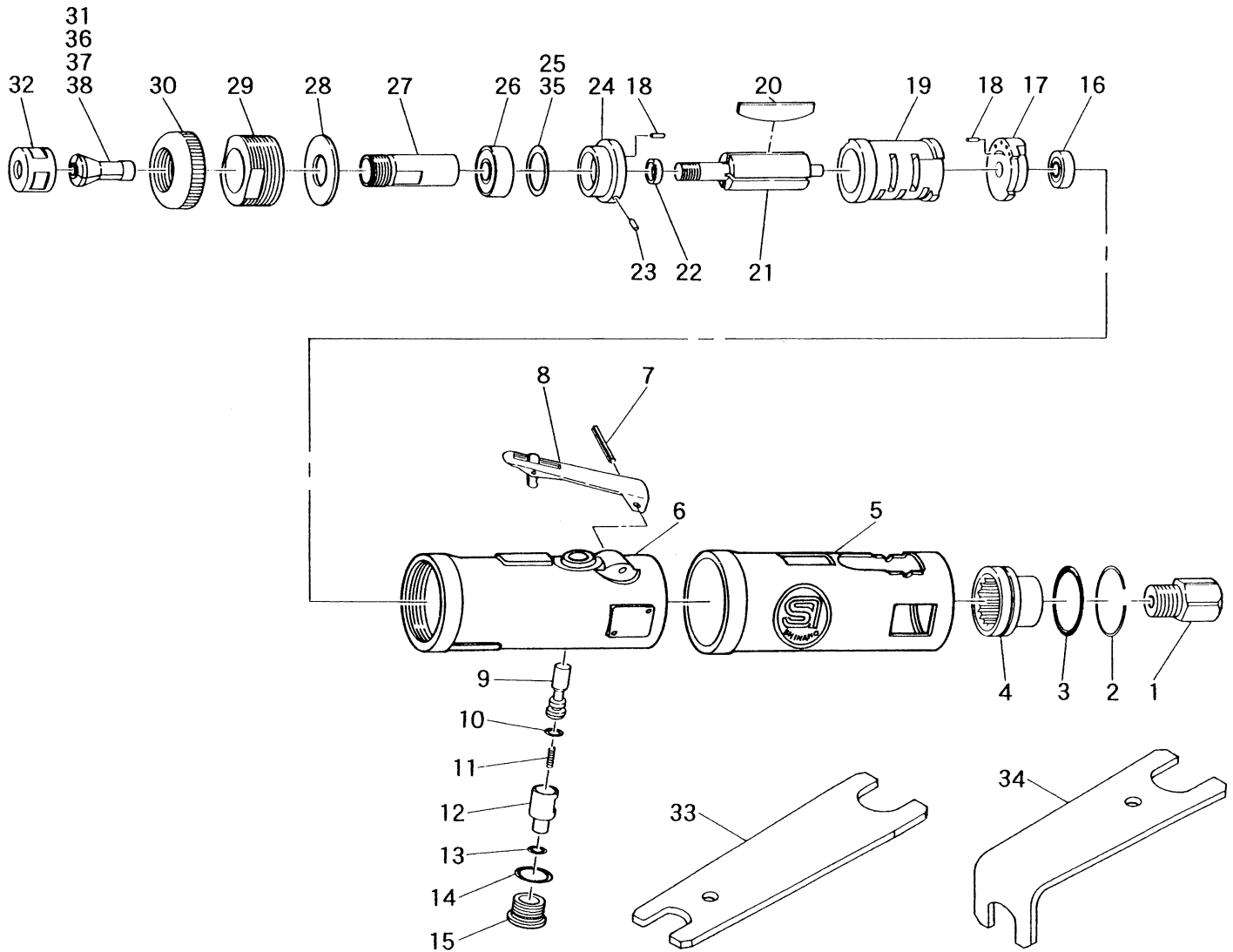


SI-2012

Die Grinder



Ref. No.	Parts No.	Description	Q'ty	Ref. No.	Parts No.	Description	Q'ty
1	180-1SC	Inlet Bushing incl. Screen (680-28A)	1	20	350-16	Rotor Blade	4
2	620-30	Retaining Ring	1	21	350-15	Rotor	1
3	620-28	O-Ring	1	22	350-18	Collar	1
4	620-18	Deflector	1	23	25-3.5	Roll Pin (2.5-3.5mm)	1
5	892-2R	Housing Cover	1	24	620-10	Front Plate	1
6	892-1	Motor Housing incl. Bush (350-4)	1	25	350-20	Shim (0.03mm)	1
7	30-24	Roll Pin (3-24mm)	1	26	6000-ZZ	Ball Bearing	1
8	350-2L	Throttle Lever	1	27	350-22	Spindle	1
9	350-5	Valve Stem	1	28	620-20	Washer	1
10	P-5	O-Ring	1	29	620-14	Lock Ring	1
11	350-7	Valve Spring	1	30	620-34	Housing Cap	1
12	350-8	Air Regulator	1	31	330-24	1/4" Collet	1
13	P-8	O-Ring	1	32	350-23	Collet Nut	1
14	P-11	O-Ring	1	33	350-28	Spanner Wrench (14x19mm)	1
15	350-10	Valve Screw	1	34	890-34	Spanner Wrench (Angle Type 14x19mm)	1
16	626-ZZ	Ball Bearing	1	◆35	350-29	Shim (0.05mm)	
17	620-9	Rear Plate	1	◆36	330-25	1/8" Collet	
18	25-5	Roll Pin (2.5-5mm)	2	◆37	330-26	3mm Collet	
19	680-1	Cylinder	1	◆38	330-19	6mm Collet	

◆Option