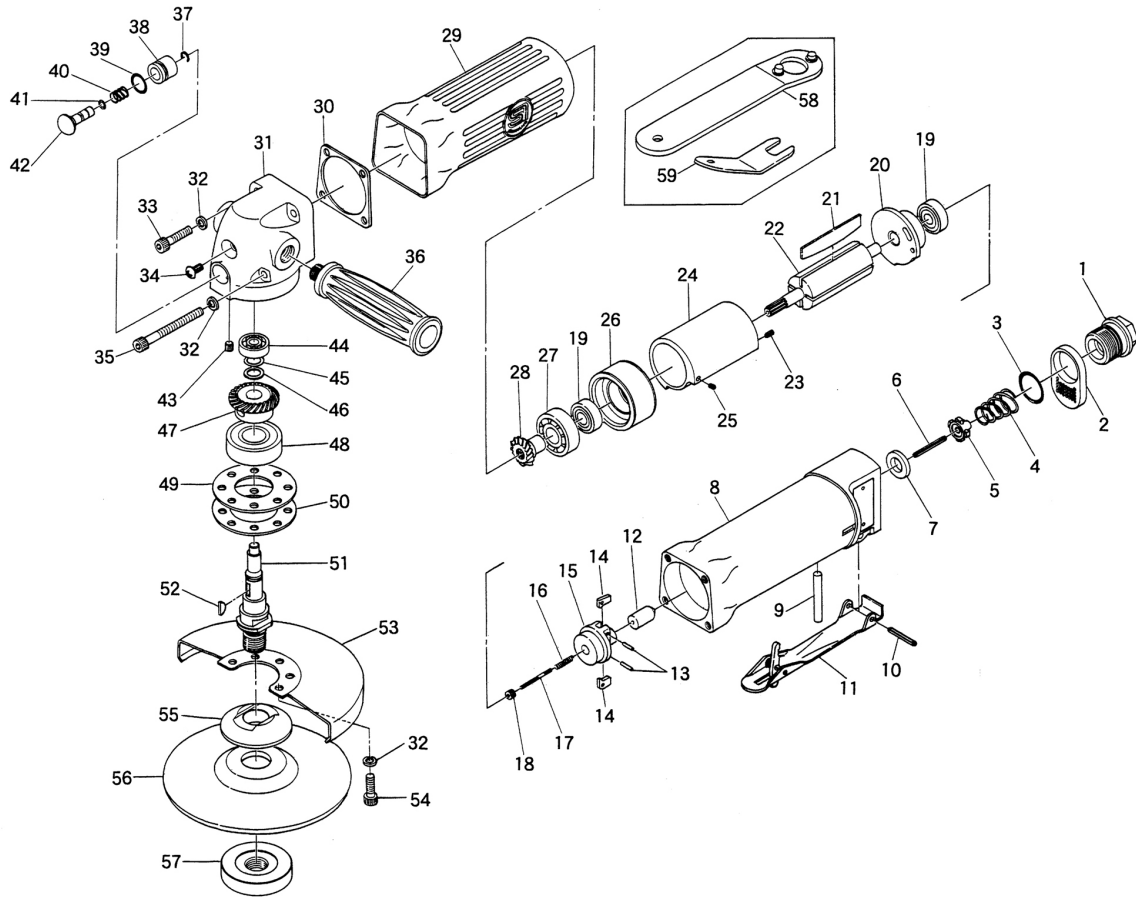


SI-2515LA

5" Disc Grinder w/M14 Spindle



Ref No	Code	Description	Qty
1	991-5	Inlet Bushing	1
2	240RL-5	Deflector	1
3	991-7	O-Ring	1
4	960-32	Valve Spring	1
5	960-35	Valve	1
6	30-28	Roll Pin	1
7	960-34	Valve Seat	1
8	240RL-1	Motor Housing	1
9	510A-6	Valve Pin	1
10	40-30	Roll Pin	1
11	240-68	Throttle Lever	1
12	240-31	Plunger	1
13	30-12	Roll Pin	1
14	240-30	Pendulum	1
15	240-29	Governor	1
16	240-34	Governor Spring	1
17	240-32	Adjust Screw	1
18	240-33	Adjust Nut	1
19	608ZZ	Ball Bearing	1
20	240RL-9	Rear Plate	1
21	650-13	Rotor Blade	1
22	240-23	Rotor	1
23	25-6	Roll Pin	1
24	240RL-7	Cylinder	1
25	25-4	Roll Pin	1
26	240RL-8	Front Plate	1
27	6201	Ball Bearing	1
28	241-9	Pinion Gear	1
29	240RL-3	Housing Cover	1
30	240RL-4	Motor Gasket	1
31	240RL-2A	Angle Head	1
32	HSW-50	Washer	1
33	Z-M50-220	Cap Screw	1
34	F-M60-80	Screw	1
35	Z-M50-500	Cap Screw	1
36	240B-2	Handle	1
37	CE-6	Retaining Ring	1

Ref No	Code	Description	Qty
38	240RL-13	Bush	1
39	S-11.2	O-Ring	1
40	240RL-11	Spring	1
41	241RL-5	O-Ring	1
42	240RL-10	Stopper	1
43	ROM50-50	Set Screw	1
44	626	Ball Bearing	1
45	JS-10	Retaining Ring	1
46	WW-100	Wave Washer	1
47	241-8A	Bevel Gear	1
48	6202ZZ	Ball Bearing	1
49	240-5	Gasket	1
50	240-4	Retainer	1
51	241-14-3	Spindle	1
52	480-23	Key	1
53	241-5	Disc Cover	1
54	Z-M50-150	Cap Screw	1
55	241-14-1A	Disc Receiver	1
56	241-49	5" Disc	1
57	241-14-2A	Disc Nut	1