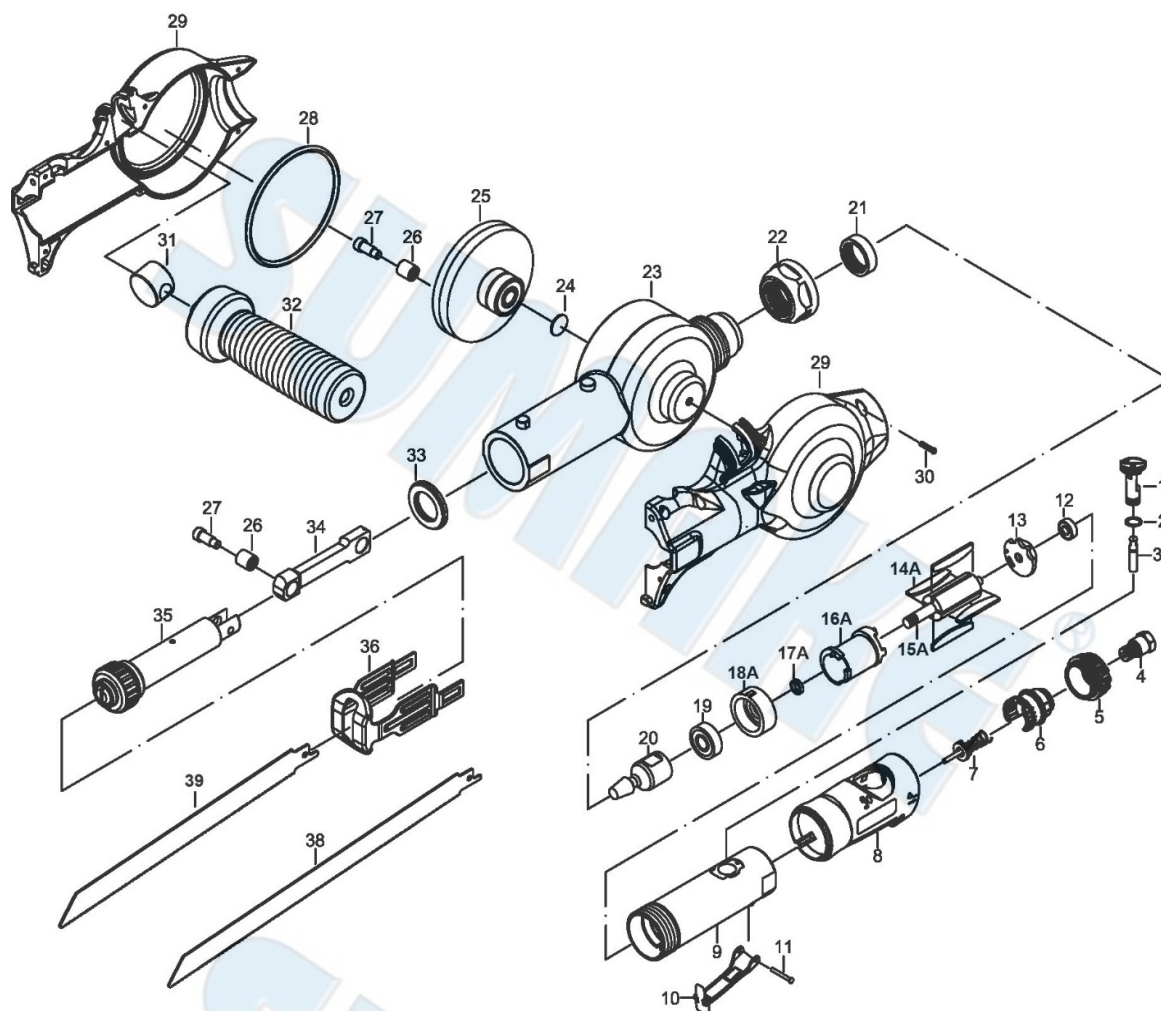


# ST-BW710

## AIR GEARED SAW (REAR EXHAUST)



### PARTS LIST

No.	Parts No.	Description	Q'ty
1	BW710-01	Regulator Set	1
2	BW710-02	Snap Ring	1
3	BW710-03	Valve Stem Set	1
4	BW710-04	Air Inlet	1
5	BW710-05	Exhaust Sleeve Set	1
6	BW710-06	Muffler	1
7	BW710-07	Valve Set	1
8	BW710-08	Protecting Rubber	1
9	BW710-09	Housing	1
10	BW710-10	Safety Throttle	1
11	BW710-11	Spring Pin	1
12	BW710-12	Bearing (626ZZ)	1
13	BW710-13	Rear Plate	1
14A	BW710-14A	Rotor Blade	4
15A	BW710-15A	Rotor	1
16A	BW710-16A	Cylinder Set	1
17A	BW710-17A	Bearing Spacer	1
18A	BW710-18A	Front Plate	1
19	BW710-19	Bearing (6000ZZ)	4

No.	Parts No.	Description	Q'ty
20	BW710-20	Bevel Gear (7T)	1
21	BW710-21	Nut	1
22	BW710-22	Clamp Nut	1
23	BW710-23	Head Set	1
24	BW710-24	Washer (15x1T)	1
25	BW710-25	Bevel Gear Set (60T)	1
26	BW710-26	Bearing (HK0609)	2
27	BW710-27	Screw (M5x0.8P)	2
28	BW710-28	O-Ring (G-80)	1
29	BW710-29	Head Guard Set	1
30	BW710-30	Screw (M3*16)	8
31	BW710-31	Nut Set	1
32	BW710-32	Handle	1
33	BW710-33	Washer Set	1
34	BW710-34	Drive Shaft	1
35	BW710-35	Holder Cap Set	1
36	BW710-36	Attachment	1
38	BW710-38	Saw 12"	1
39	BW710-39	Saw 9"	1