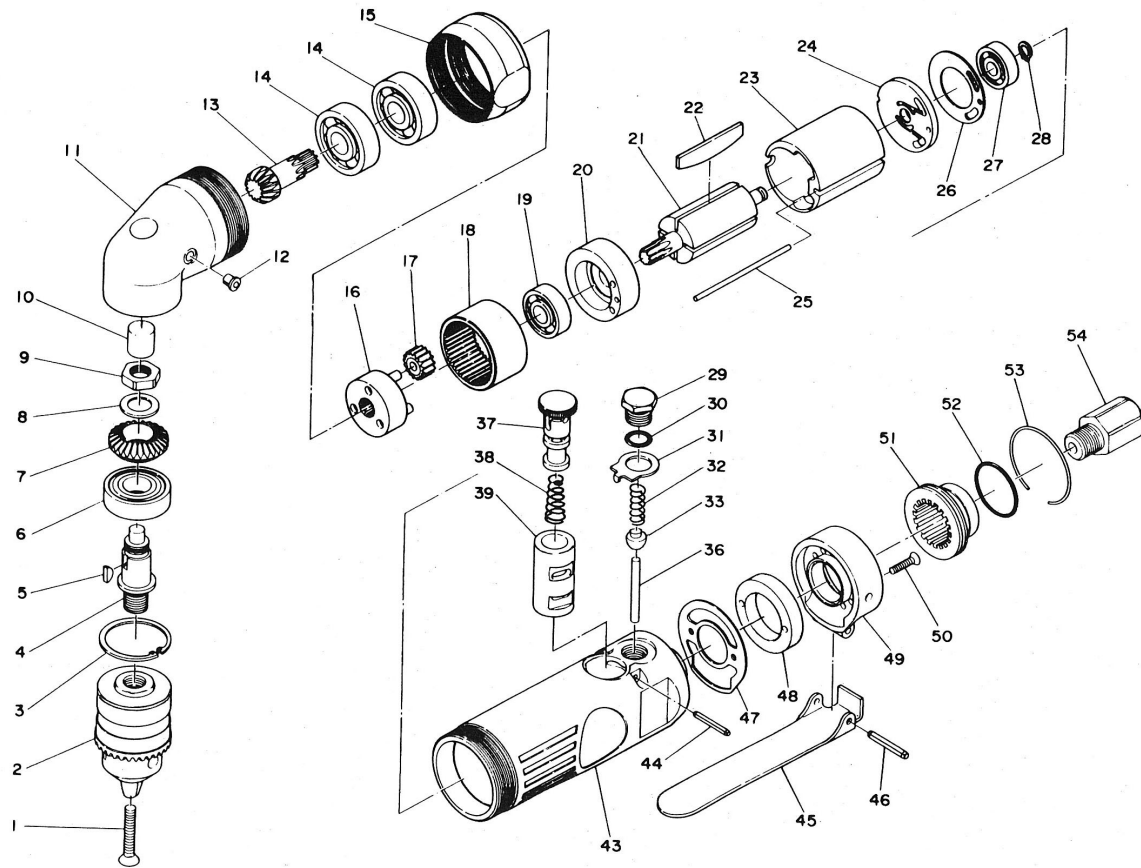


SI-5355

3/8" Angle Drill

SI-5355 KL

3/8" Drill w/Keyless Chuck



Ref No	Code	Description	Qty
01	988-49	Chuck Screw	1
02	22BA	3/8" Drill Chuck w/Handle KK	1
03	JO-28	Retaining Ring	1
04	988-6	Spindle	1
05	988-8	Key	1
06	6001ZZ	Ball Bearing	1
07	988-2	Bevel Gear	1
08	988-9	Washer	1
09	988-7	Nut	1
10	KE-45	Needle Bearing	1
11	988-3	Angle Head	1
12	115-1	Grease Plug	1
13	988-1	Pinion Gear	1
14	6200	Ball Bearing	2
15	988-11	Lock Ring	1
16	301-2	Planet Cage incl. Planet Pin(300-21 x 3)	1
17	300-13	Planet Gear	3
18	988-10	Internal Gear	1
19	608ZZ	Ball Bearing	1
20	988-4	Front Plate	1
21	988-5	Rotor	1
22	350-16	Rotor Blade	4
23	217-15	Cylinder	1
24	217-14	End Plate	1
25	200-34	Cylinder Pin	1
26	217-32	Motor Gasket	1
27	626	Ball Bearing	1
28	JS-6	Retaining Ring	1
29	985-39	Valve Screw	1
30	P-8	O-Ring	1
31	985-15	Reverse Retainer	1
32	450-24	Valve Spring	1
33	930B-12B	Valve	1
36	985-3	Valve Pin	1
37	985-5	Reverse Valve	1
38	985-14	Reverse Spring	1

Ref No	Code	Description	Qty
39	985-6	Reverse Valve Bush	1
43	988-12	Motor Housing incl. Bush (985-17)	1
44	25-20	Roll Pin	1
45	985-2	Throttle Lever	1
46	30-24	Roll Pin	1
47	985-13	Gasket	1
48	985-41	Muffler	1
49	985-12	Housing Cap	1
50	E-M30-120	Screw	2
51	620-18	Deflector	1
52	620-28	O-Ring	1
53	620-30	Retaining Ring	1
54	985-10SC	Inlet Bushing incl. Screen (680-28A)	1
55	KK	Chuck Handle for 22BA, SM8K61 & 31902	1
56	LX10	3/8" Cap. Keyless Chuck (3/8" Thd.)	1

◆ Option