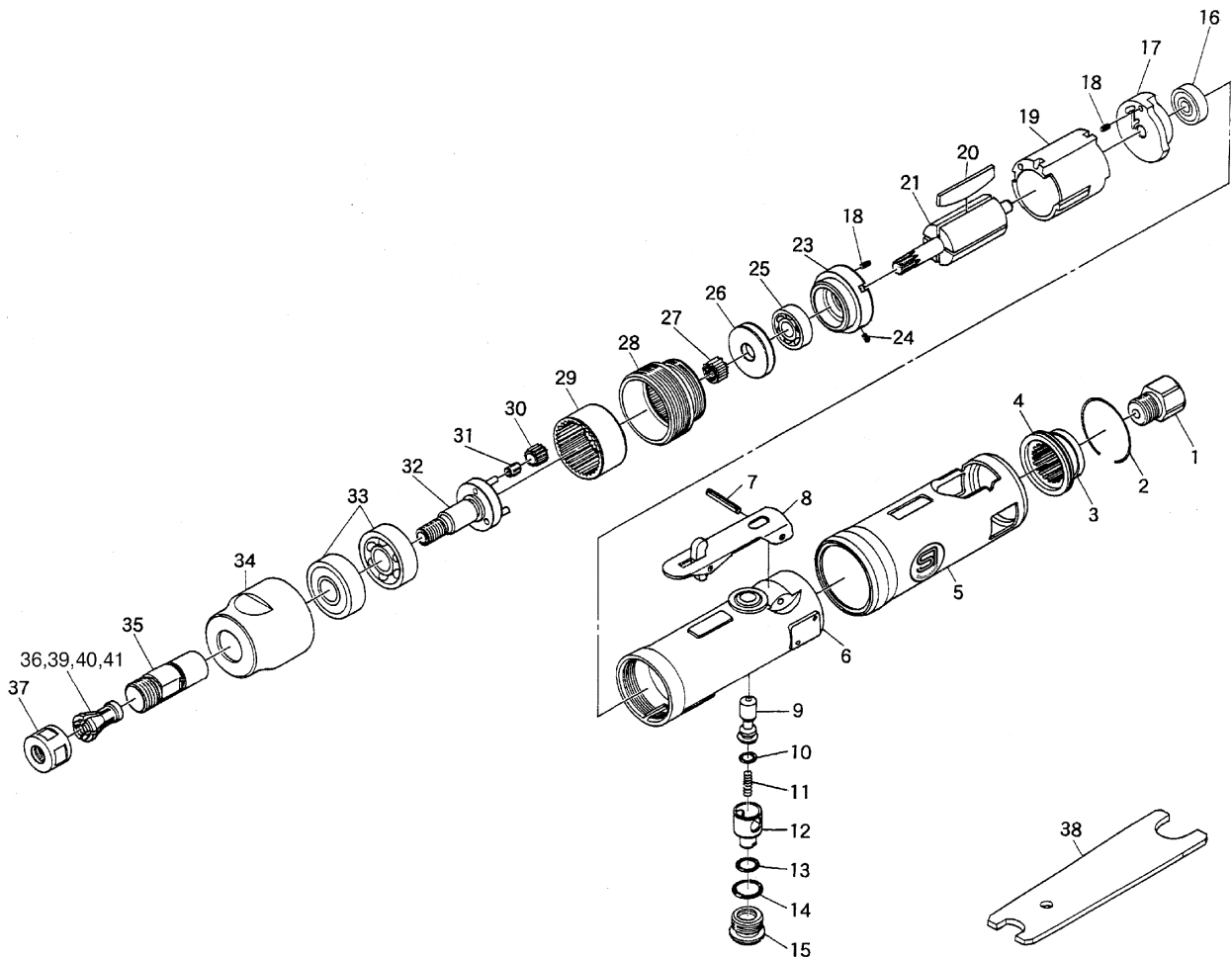


# SI-2015A

## Die Grinder 4500 R.P.M.



Ref. No.	Parts No.	Description	Q'ty	Ref. No.	Parts No.	Description	Q'ty
1	180-1SC	Inlet Bushing incl. Screen(680-28A)&Retainer(CRTW-12)	1	23	270-45LA-2	Front Plate	1
2	620-30	Retaining Ring	1	24	25-4	Roll Pin (2.5φ-4mm)	1
3	620-18	Deflector	1	25	608ZZ	Ball Bearing	1
4	620-28	O-Ring	1	26	270-45LA-4	Spacer	1
5	892-2R	Housing Cover	1	27	1300-45C-1	Pinion Gear	1
6	892-1	Motor Housing incl. Bush (350-4)	1	28	270-45LA-3	Motor Lock Ring	1
7	30-24	Roll Pin (3φ-24mm)	1	29	270-45LA-5	Internal Gear	1
8	350-2L	Throttle Lever	1	30	1300-45C-2	Planet Gear	3
9	350-5	Valve Stem	1	31	1300-45C-4	Cage incl. Pins (1300-45C4Ax5)	3
10	P-5	O-Ring	1	32	1300-45C-3	Spindle incl. Pins (3000-15-8x3)	1
11	350-7	Valve Spring	1	33	6201-Z	Ball Bearing	2
12	350-8A	Air Regulator	1	34	1300C-15	Clamp Nut	1
13	P-8	O-Ring	1	35	130-15	Spindle	1
14	P-11	O-Ring	1	36	330-24	1/4" Collet	1
15	350-10	Valve Screw	1	37	350-23	Collet Nut	1
16	626-ZZ	Ball Bearing	1	38	350-28	Spanner Wrench (14x19mm)	2
17	620-9	Rear Plate	1	◆ 39	330-25	1/8" Collet	
18	25-5	Roll Pin (2.5φ-5mm)	2	◆ 40	330-26	3mm Collet	
19	680-1	Cylinder	1	◆ 41	330-19	6mm Collet	
20	350-16	Rotor Blade	4				
21	270-45LA-1	Rotor	1				