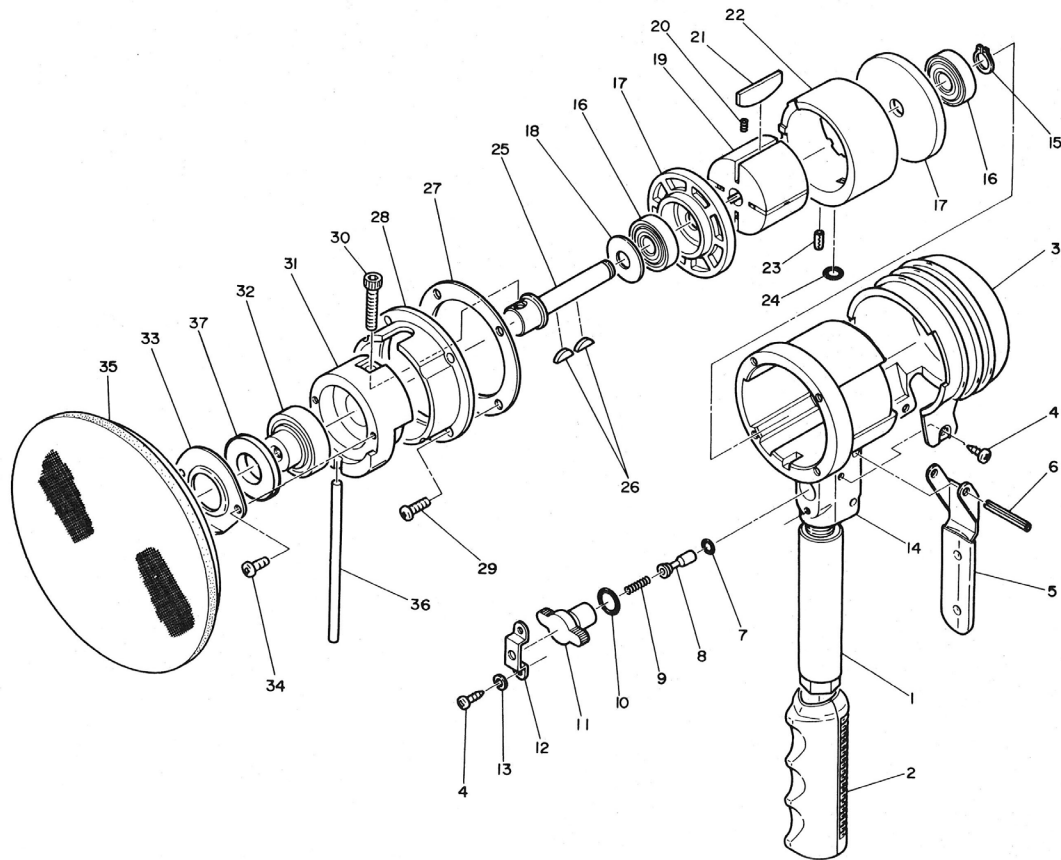


SI-3100

6" Double Action Sander

SI-3100M

Double Action Sander w/6" Velcro Pad



Ref No	Code	Description	Qty
01	480-15	Handle Grip	1
02	480-11A	Grip Cover	1
03	475-26R	Housing Cover	1
04	J1M35-50	Screw	4
05	480-13A	Throttle Lever	1
06	40-30	Roll Pin	1
07	P-4	O-Ring	1
08	330-5	Valve Stem	1
09	350-7	Valve Spring	1
10	P-8	O-Ring	1
11	480-4	Air Regulator	1
12	480-16	Regulator Retainer	1
13	HSW-35	Washer	2
14	475-3	Motor Housing incl. Valve Bush(330-4)	1
15	JS-10	Retaining Ring	1
16	6200ZZ	Ball Bearing	2
17	640-12A	End Plate	2
18	481-10	Spacer (Brass)	1
19	481-6TS	Rotor	1
20	490-1	Blade Spring	2
21	470-9	Rotor Blade	4
22	640-1	Cylinder	1
23	30-6	Roll Pin	1
24	P-7	O-Ring	1
25	481-22	Crank Shaft	1
26	480-23	Key	2
27	470-49	Gasket	1
28	481-47	Balancer Cover	1
29	A-M50-120	Screw	4
30	Z-M60-250	Cap Screw	1
31	481-13A	Balancer for 6" Pad	1
32	481-12A	Random Shaft Assy incl. Ball Bearing & Washer (6202ZZ, 480-12A)	1
33	481-11A	Bearing Retainer	1
34	A-M50-80	Screw	2
35	486-3	6" Pad	1

Ref No	Code	Description	Qty
36	480-54	Bar Wrench	1
37	481-12B	Felt Ring	1
★	M-150H	6" Velcro Pad	1

★For SI-3100M