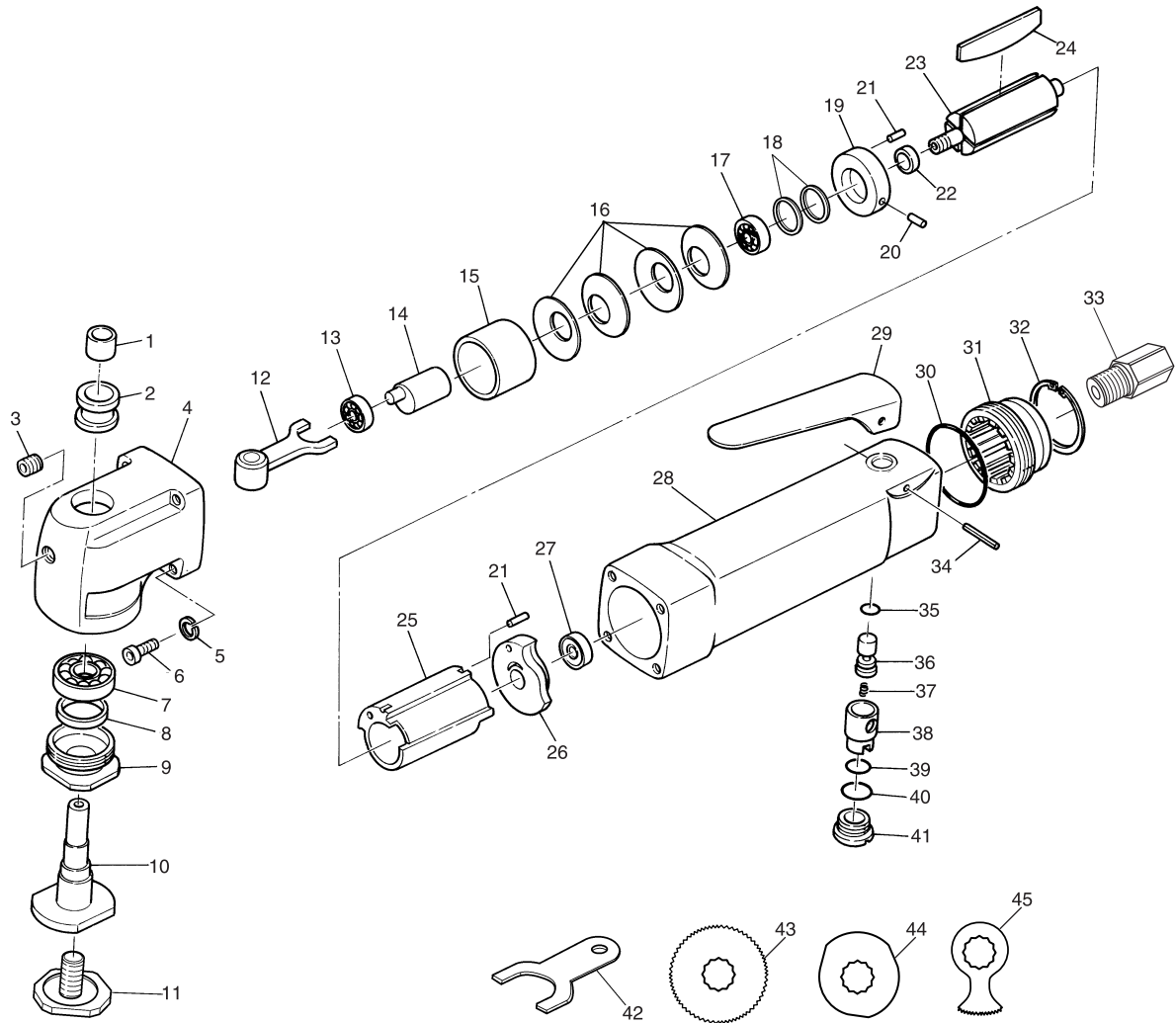


# SI-4300

## Oscillation Cutter



Ref. No.	Parts No.	Description	Q'ty	Ref. No.	Parts No.	Description	Q'ty
1	BK0709	Needle Bearing	1	23	350-15	Rotor	1
2	508-35	Bearing Case	1	24	350-16	Rotor Blade	4
3	R-832-1/4	Grease Plug	1	25	680-1	Cylinder	1
4	508-37	Angle Head	1	26	620-9	Rear Plate	1
5	HSW-40	Washer	4	27	626-ZZ	Ball Bearing	1
6	Z-832 · 190	Cap Screw	4	28	502CNB-1	Motor Housing incl. Bush & Cover(350-4,660R-37)	1
7	EE-3	Ball Bearing	1	29	350-2	Throttle Lever	1
8	508-7	Oil Seal	1	30	620-28	O-Ring	1
9	508-34	Spindle Nut	1	31	620-18	Deflector	1
10	508-36	Spindle	1	32	620-30	Retaining Ring	1
11	508-33	Retainer Screw	1	33	180-1SC	Inlet Bushing incl. Screen (680-28A) & Retainer (CRTW-12)	1
12	508-32	Drive Fork	1	34	30-24	Roll Pin(3-24mm)	1
13	607-ZZ	Ball Bearing	1	35	P-5	O-Ring	1
14	508-31	Crank Shaft	1	36	350-5	Valve Stem	1
15	508-41	Spacer	1	37	350-7	Valve Spring	1
16	508-40	Spring Washer	4	38	350-8A	Air Regulator	1
17	6000-ZZ	Ball Bearing	1	39	P-8	O-Ring	1
18	350-20	Shim(0.03mm)	1~2	40	P-11	O-Ring	1
	350-29	Shim(0.05mm)	1~2	41	350-10	Valve Screw	1
19	620-10	Front Plate	1	42	508-43	Spanner Wrench	2
20	25-3.5	Roll Pin(2.5-3.5mm)	1	43	508-45A	Cutting Wheel	1
21	25-5	Roll Pin(2.5-5mm)	2	44	508-44	Adjuster	1
22	350-18	Collar	1	45	508-45B	Cutting Blade	1