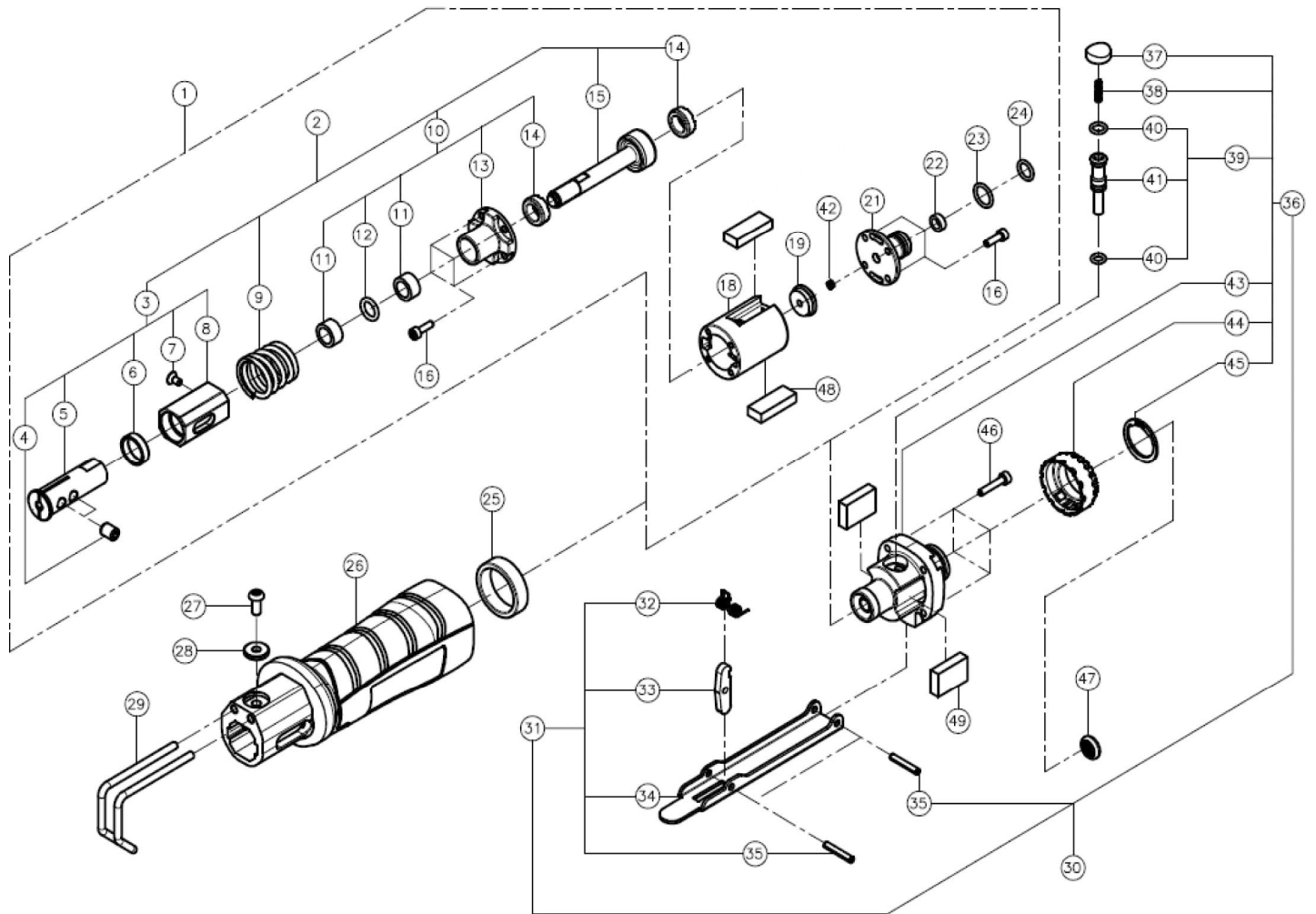


ST-BO12 VIBRATION REDUCTION MINI AIR BODY SAW



PARTS LIST

No.	Parts No.	Description	Q'ty
1	BO12-01	Cylinder Group	1
2	BO12-02	Cylinder Front Group	1
3	BO12-03	Spindle Group	1
4	BO12-04	Bolt	2
5	BO12-05	Spindle	1
6	BO11-06	Rings	1
7	BO11-07	Screw	1
8	BO11-08	Bush	1
9	BO11-09	Conical Spring	1
10	BO11-10	Cylinder Head Group	1
11	BO11-11	Copper Sleeve	2
12	BO11-12	O-Ring Black	1
13	BO11-13	Cylinder Head	1
14	BO11-14	Bumper	2
15	BO12-15	Piston Ass'y	1
16	BO11-16	Hex Socket Head Screw	8
18	BO11-18	Cylinder	1
19	BO11-19	Valve Plate	1
21	BO11-21	Guide Valve	1
22	BO11-22	Guide Valve Bumper	1
23	BO12-23	O-Ring	1
24	BO11-24	O-Ring	1
25	BO11-25	Body Bumper	1
26	BO12-26	Main Body+Jacket Ass'y	1

No.	Parts No.	Description	Q'ty
27	BO12-27	Bhsc Screw	1
28	BO11-28	Washer	1
29	BO11-29	Guide Rod	1
30	BO11-30	Control Valves Whole Group	1
31	BO11-31	Safety Trigger Ass'y	1
32	BO11-32	Spring	1
33	BO11-33	Safety Trigger Ended Block	1
34	BO11-34	Safety Trigger	1
35	BO11-35	Spring Pin	2
36	BO11-36	Control Valves Group	1
37	BO11-37	Rubber Plug	1
38	BO11-38	Spring	1
39	BO11-39	Valve Stem Group	1
40	BO11-40	O-Ring	2
41	BO11-41	Valve Stem	1
42	BO11-42	Spring	1
43	BO11-43	Control Valve	1
44	BO11-44	Exhaust Cover	1
45	BO11-45	C-Ring	1
46	BO11-46	Screw	4
47	BO11-47	Metal Filter	1
48	BO11-48	Muffler #1	2
49	BO11-49	Muffler #2	2