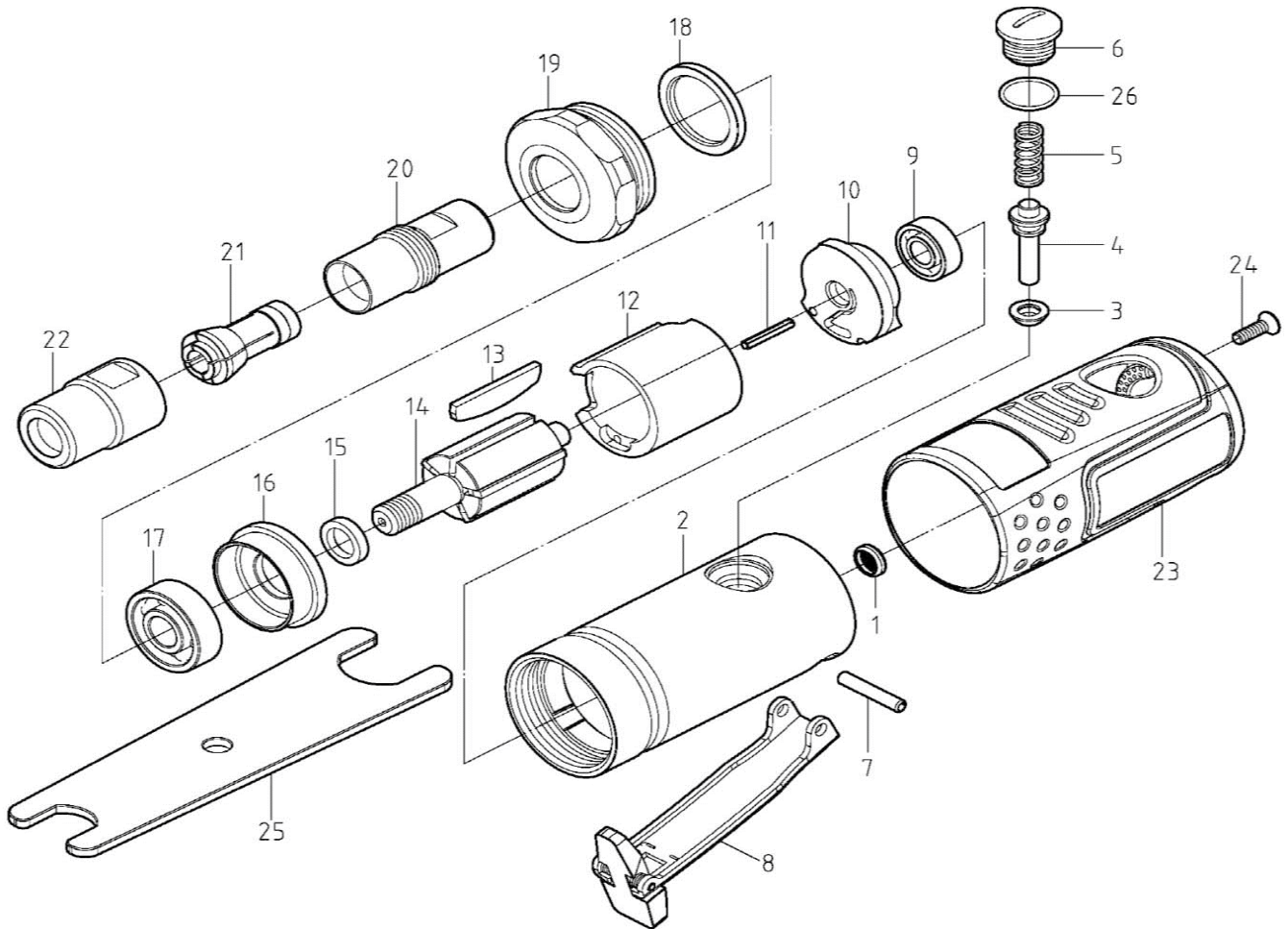


# ST-DG3002L, ST-DG3006L

## 1/4"(6MM) MINI AIR DIE GRINDER



### PARTS LIST

No.	Parts No.	Description	Q'ty
1	J2-080108001	Air Strainer	1
2	J2-001124603	Housing	1
3	J2-032101601	Anvil Collar	1
4	J2-010101601	Pin Valve Rod	1
5	J2-007112701	Spring	1
6	J2-049105201	Screw	1
7	J2-9283016	Spring Pin	1
8	J2-030107001	Trigger	1
9	J2-902696-04	Ball Bearing	1
10	J2-011102401	Rear Plate	1
11	J2-9282014	Spring Pin	1
12	J2-012102401	Cylinder	1
13	J2-014101601	Blade	5
14	J2-013124601	Rotor	1

No.	Parts No.	Description	Q'ty
15	J2-016102702	Washer	1
16	J2-015107001	Front Plate	1
17	J2-902608-06	Ball Bearing	1
18	J2-016101601	Washer	1
19	J2-017125001	Cylinder Set Screw	1
20	J2-065109001	Bushing	1
21	JC-066021090-3	1/4" Collet [ST-DG3002L]	1
	J2-066109002-02	6mm Collet [ST-DG3006L]	1
22	J2-035109002	Lock Nut	1
23	J2-045124601	Cover	1
24	J2-049104101	Screw	1
25	J3-576106101	Wrench	2
26	J2-916008819	O-Ring	1

ST-DG3002(6)L-P-2003A-JU