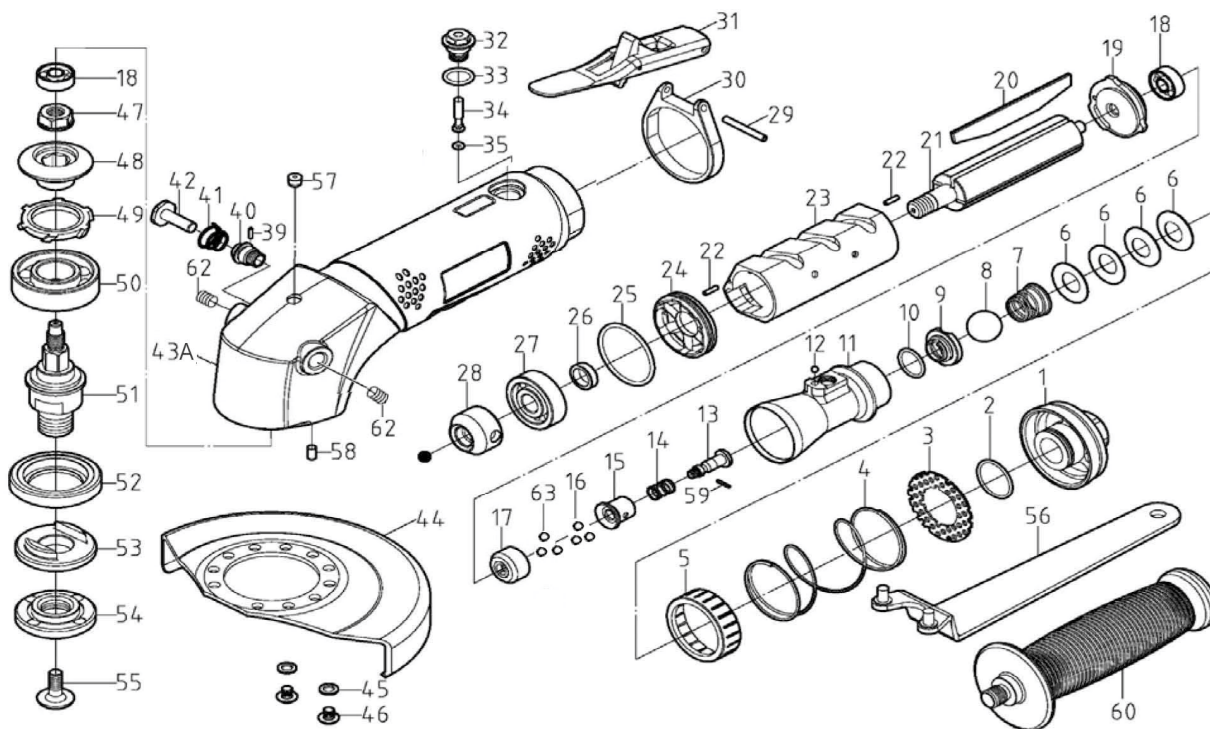


# ST-GD505L3-L, ST-GD505L6-L

## 5" INDUSTRIAL AIR ANGLE GRINDER W/O LEVER LOCK

### (GRINDING WHEEL NOT INCLUDED)



#### PARTS LIST

No.	Parts No.	Description	Q'ty
1	GD505L-01A	Air Inlet (PT19)	1
	GD505L-01B	Air Inlet (NPT18)	1
	GD505L-01C	Air Inlet (PS19)	1
2	GD505L-02	O-Ring	1
3	GD505L-03	Exhaust Deflector	1
4	GD505L-04	Spring	1
5	GD505L-05	Bushing	1
6	GD505L-06	Washer	4
7	GD505L-07	Cone Spring	1
8	GD505L-08	Steel Ball	1
9	GD505L-09	Washer	1
10	GD505L-10	O-Ring	1
11	GD505L-11	Reverse Valve	1
12	GD505L-12	Steel Ball	1
13	GD505L-13	Screw	1
14	GD505L-14	Spring	1
15	GD505L-15	Bushing	1
16	GD505L-16	Steel Ball	3
17	GD505L-17	Regulator Valve	1
18	GD505L-18	Ball Bearing	2
19	GD505L-19	Rear Plate	1
20	GD505L-20	Blade	4
21	GD505L-21	Rotor	1
22	GD505L-22	Spring Pin	2
23	GD505L-23	Cylinder	1
24	GD505L-24	Front Plate	1
25	GD505L-25	O-Ring	1
26	GD505L-26	Washer	1
27	GD505L-27	Ball Bearing	1
28	GD505L-28	Driving Gear Spindle	1
29	GD505L-29	Spring Pin	1
30	GD505L-30	Bolt Holder	1

No.	Parts No.	Description	Q'ty
31	GD505L-31	Trigger	1
32	GD505L-32	Screw	1
33	GD505L-33	O-Ring	1
34	GD505L-34	Pin Valve Rod	1
35	GD505L-35	O-Ring	1
39	GD505L-39	Pin	1
40	GD505L-40	Screw	1
41	GD505L-41	Cone Spring	1
42	GD505L-42	Lock Pin	1
43A	GD505L-43A	Housing [ST-GD505L3-L, ST-GD505L6-L]	1
44	GD505L-44	5" Wheel Guard	1
45	GD505L-45	Spring Washer	2
46	GD505L-46	Screw	2
47	GD505L-47	Lock Nut	1
48	GD505L-48	Bevel Gear	1
49	GD505L-49	Washer	1
50	GD505L-50	Ball Bearing	1
51	GD505L-51A	Anvil (5/8"-11) [ST-GD505L6-L]	1
	GD505L-51B	Anvil (M14) [ST-GD505L3-L]	1
52	GD505L-52	Cylinder Set Screw	1
53	GD505L-53A	Bushing (5/8"-11) [ST-GD505L6-L]	1
	GD505L-53B	Bushing (M14) [ST-GD505L3-L]	1
54	GD505L-54A	Lock Nut (5/8"-11) [ST-GD505L6-L]	1
	GD505L-54B	Lock Nut (M14) [ST-GD505L3-L]	1
55	GD505L-55	Screw	1
56	GD505L-56	Wrench	1
57	GD505L-57	Oil Drop	1
58	GD505L-58	Pin	1
59	GD505L-59	Pin	1
60	GD505L-60	Handle	1
62	GD505L-62	Heli Sert	2
63	GD505L-63	Steel Ball	3