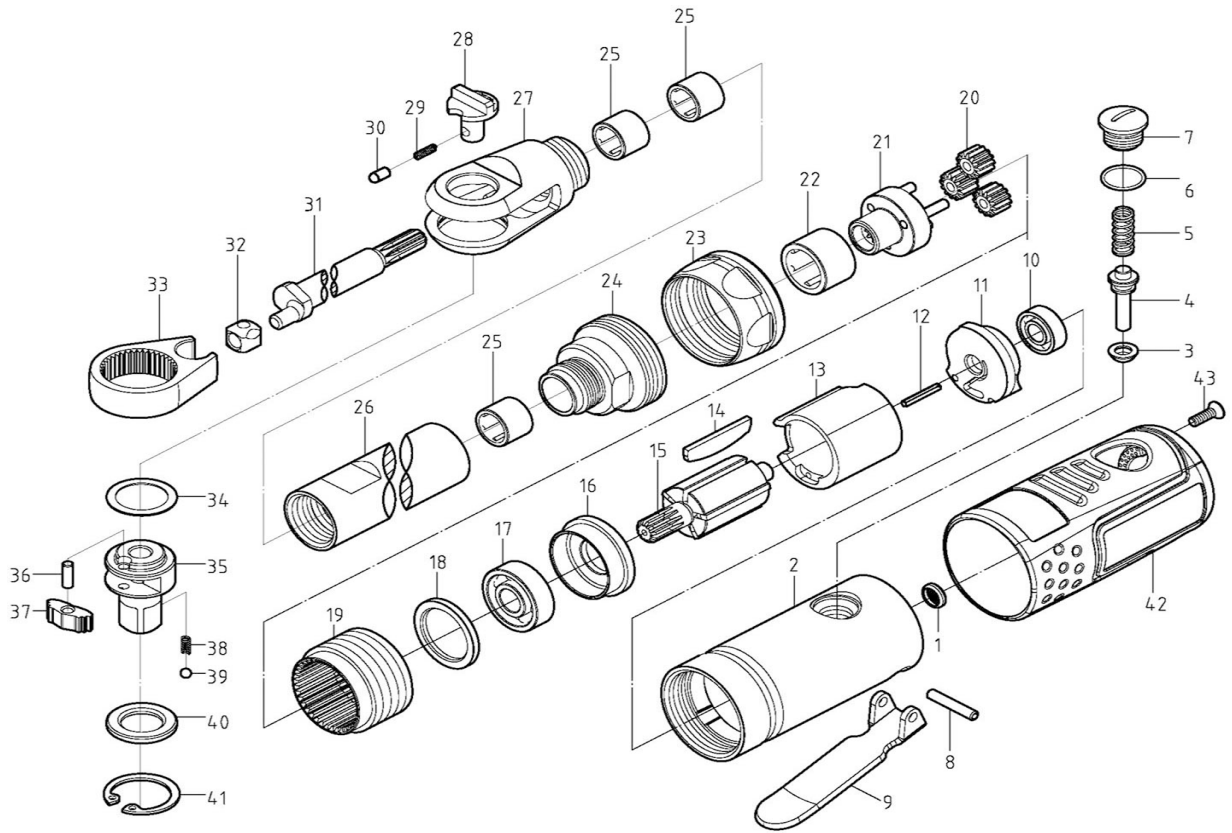


ST-RW221-5, ST-RW222-5, ST-RW223-5 1/4"(3/8")(1/2") MINI AIR RATCHET WRENCH WITH 5" EXTENDED HEAD



PARTS LIST

| No. | Parts No. | Description | Q'ty |
|-----|-----------------|----------------|------|
| 1 | J2-080108001 | Air Strainer | 1 |
| 2 | J2-001124603 | Housing | 1 |
| 3 | J2-032101601 | Anvil Collar | 1 |
| 4 | J2-010101601 | Pin Valve Rod | 1 |
| 5 | J2-007112701 | Spring | 1 |
| 6 | J2-916008819 | O-Ring | 1 |
| 7 | J2-049105201 | Screw | 1 |
| 8 | J2-9283016 | Spring Pin | 1 |
| 9 | J2-030101602 | Trigger | 1 |
| 10 | J2-902696-04 | Ball Bearing | 1 |
| 11 | J2-011102401 | Rear Plate | 1 |
| 12 | J2-9282014 | Spring Pin | 1 |
| 13 | J2-012102401 | Cylinder | 1 |
| 14 | J2-014101601 | Blade | 5 |
| 15 | J2-013125101 | Rotor | 1 |
| 16 | J2-015102401 | Front Plate | 1 |
| 17 | J2-902608-06 | Ball Bearing | 1 |
| 18 | J2-016101601 | Washer | 1 |
| 19 | J2-034125101 | Internal Gear | 1 |
| 20 | J2-036125101 | Gear | 3 |
| 21 | J2-037125201 | Gear Carrier | 1 |
| 22 | J2-9011212 | Needle Bearing | 1 |
| 23 | J2-035101601-02 | Lock Nut | 1 |
| 24 | J2-035126602 | Lock Nut | 1 |

| No. | Parts No. | Description | Q'ty |
|-----|--------------|----------------------|------|
| 25 | J2-9010910 | Needle Bearing | 3 |
| 26 | J2-027127801 | Front Casing | 1 |
| 27 | J2-038126601 | Ratchet Housing | 1 |
| 28 | J2-031101701 | Reverse Lever | 1 |
| 29 | J2-007101701 | Spring | 1 |
| 30 | J2-046101701 | Lock Pin | 1 |
| 31 | J2-039127801 | Eccentric Shaft | 1 |
| 32 | J2-040101701 | Drive Bushing | 1 |
| 33 | J2-043101701 | Yoke | 1 |
| 34 | J2-016101701 | Washer | 1 |
| 35 | J2-047101701 | Anvil (1/4") | 1 |
| | J2-047101702 | Anvil (3/8") | 1 |
| | | Anvil (1/2") | 1 |
| 36 | J2-91703009 | Pin | 1 |
| 37 | J2-041101701 | Ratchet Pawl | 1 |
| 38 | J2-007101702 | Spring | 2 |
| 39 | J2-9180300 | Steel Ball | 2 |
| 40 | J2-048101701 | Thrust Washer (1/4") | 1 |
| | J2-048101702 | Thrust Washer (3/8") | 1 |
| | | Thrust Washer (1/2") | 1 |
| 41 | J2-908020 | Retaining Ring | 1 |
| 42 | J2-045124601 | Cover | 1 |
| 43 | J2-049104101 | Screw | 1 |